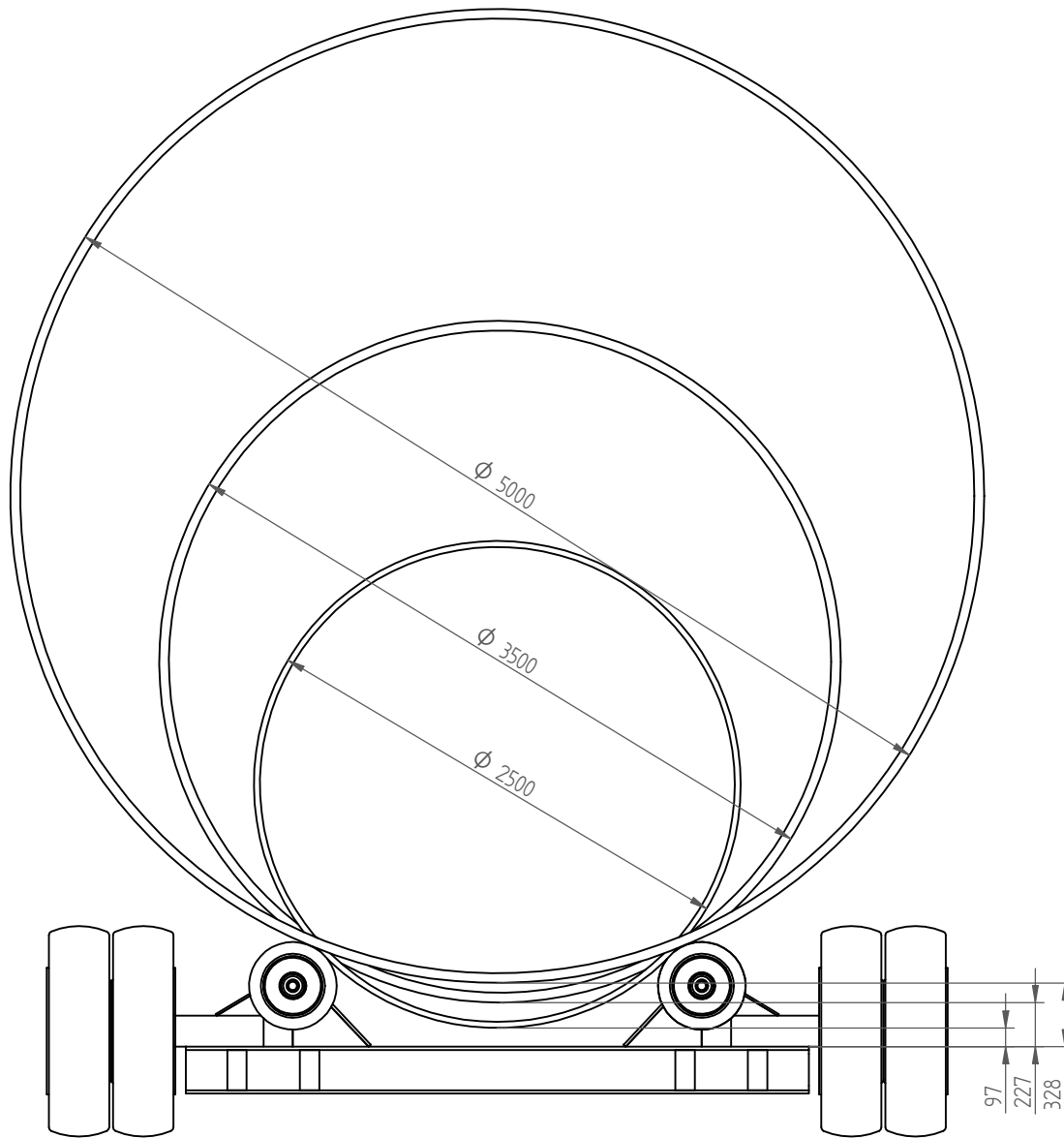



* - may vary due to applied hubs,rims
 -in any case wil not exceed 4750mm

Drw: ks		Size, std:		Tolerance ISO 2768-1		Geometric tolerance symbols acc. ISO1101 General tolerance symbols acc. ISO2768 Surface roughness symbols acc. ISO1302	
Chk:		Material:		Next assmbl.		Description GA plan - Tower boogie	
App:		Finish:		Order No:		(Ø3500-Ø5000)	
Prod:		Client:		Sheet: 1 of 2		Drawing number	
Scale	Mass	Metric: mm			Rev.		



Drw: ks		Size, std:		Tolerance ISO 2768-1		Geometric tolerance symbols acc. ISO1101 General tolerance symbols acc. ISO2768 Surface roughness symbols acc. ISO1302	
Chk:		Material:		Next assmbl.			
App:		Finish:		Description		GA plan - Tower boogie	
Prod:		Client:		Order No:		(Ø3500-Ø5000)	
Sheet: 2 of 2		Scale		Mass		Metric: mm	
							
				Drawing number		Rev.	